



Duck Feet (DF):



General Information:

Function: A strong and low cost levelling foot commonly used for conveyor systems.

Features:

1. Threaded rod is fixed.
2. Foot can be secured to the ground.

Item Description:	Item Number: With Threaded Rod (Steel)	Item Number: With Threaded Rod (Stainless Steel)	Item Number: Without Threaded Rod
DF M16 x 100	C9F16070A16100M	C9F16070A16100E	For all M16 Duck Feet without Threaded Rod : C098F16070A
DF M16 x 150	C9F16070A16150M	C9F16070A16150E	
DF M16 x 200	C9F16070A16200M	C9F16070A16200E	
DF M16 x 250	C9F16070A16250M	C9F16070A16250E	
DF M16 x 300	C9F16070A16250M	C9F16070A16250E	

Set Includes:

*With Threaded Rod
(Steel):*

1 - Thread Rod (S)
x 1

3 - Base x 1

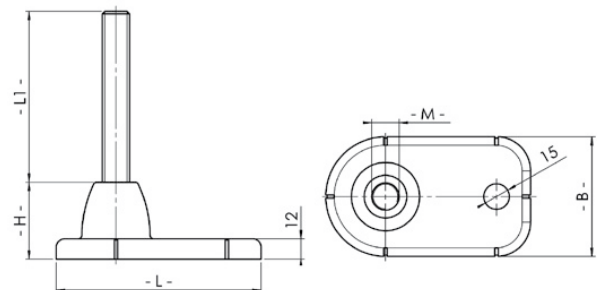
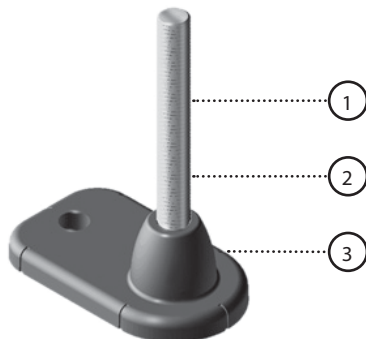
*With Threaded Rod
(Stainless Steel):*

2 - Thread Rod (SS)
x 1

3 - Base x 1

*Without Threaded
Rod*

3 - Base x 1



Technical Information:

Item Description	Dim -L1- (mm)	Max. Load (kg)	Weight (g)	Colour	Finish	Material
DF M16 x100	100.0	400.0	452.6	1,2 - Silver	1 - Zinc plated	1 - Steel
DF M16 x150	150.0		518.1			
DF M16 x200	200.0		581.1	3 - Black	2,3 - Plain	2 - Stainless steel
DF M16 x250	250.0		648.1			
DF M16 x300	300.0		713.6			



Threaded Rod for Swivel Feet:



Function: Threaded Rod for swivelling feet.

Features:

1. Zinc plated steel or stainless steel SS 304.
2. Swivelling range: $\pm 20^\circ$

Dim -M- x -L-	Max. Load (kg)	Weight (g)	Zinc plated	Stainless steel
M8 x 25	350.0	29.0	C098DM08025M	C098DM08025E
M8 x 40		36.0	C098DM08040M	C098DM08040E
M8 x 80		49.0	C098DM08050M	C098DM08050E
M12 x 45	770.0	55.0	C098DM08070M	C098DM08070E
M12 x 66		70.0	C098DM08080M	C098DM08080E
M12 x 100		94.0	C098DM08100M	C098DM08100E
M12 x 125		112.0	C098DM08025M	C098DM08025E
M12 x 150		130.0	C098DM08040M	C098DM08040E
M16 x 66	1450.0	112.0	C098DM08050M	C098DM08050E
M16 x 100		156.0	C098DM08070M	C098DM08070E
M16 x 125		190.0	C098DM08080M	C098DM08080E
M16 x 150		222.0	C098DM08100M	C098DM08100E
M16 x 200		285.0	C098DM08120M	C098DM08120E

Threaded Rod for Eco Feet:



Function: Threaded Rod for swivelling feet.

Features:

1. Zinc plated steel or stainless steel SS 304.
2. Swivelling range: $\pm 20^\circ$

Dim -M- x -L-	Max. Load (kg)	Weight (g)	Zinc plated	Stainless steel
M8 x 25	350.0	29.0	C098EM08025M	C098EM08025E
M8 x 40		36.0	C098EM08040M	C098EM08040E
M8 x 50		49.0	C098EM08050M	C098EM08050E
M8 x 80		49.0	C098EM08080M	C098EM08080E
M8 x 100		55.0	C098EM08100M	C098EM08100E
M8 x 120		34.0	C098EM08120M	C098EM08120E
M12 x 45	770.0	55.0	C098EM08100M	C098EM08100E
M12 x 25		34.0	C098EM12025M	C098EM12025E
M12 x 40		44.0	C098EM12040M	C098EM12040E
M12 x 50		51.0	C098EM12050M	C098EM12050E
M12 x 70		65.0	C098EM12070M	C098EM12070E
M12 x 80		72.0	C098EM12080M	C098EM12080E
M12 x 100		86.0	C098EM12100M	C098EM12100E
M12 x 120		100.0	C098EM12120M	C098EM12120E



Threaded Rod for Compact Feet:



Function: Threaded Rod for compact feet.

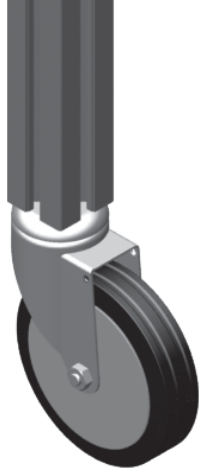
Features:

1. Stainless steel SS 304.
2. Swivelling range: $\pm 4^\circ$

Dim -M- x -L-	Max. Load (kg)	Weight (g)	Stainless steel
M12 x 45	770.0	67.0	C098BM12045E
M12 x 66		82.0	C098BM12066E
M12 x 100		106.0	C098BM12100E
M12 x 125		124.0	C098BM12125E
M12 x 150		142.0	C098BM12150E
M16 x 66	1450.0	119.0	C098BM16066E
M16 x 100		163.0	C098BM16100E
M16 x 125		197.0	C098BM16125E
M16 x 150		229.0	C098BM16150E
M16 x 200		292.0	C098BM16200E



Castors without Brake (CST):



General Information:

Function: Castors 'CST 100' & 'CST 125' can be screwed directly into tapped profile ends. Castor 'CST 75' can be fixed into the profile slot using slide nut 'SL M10 - 1'.

Features:

1. Operating temperature range: -40°C to 100°C.

Note:

1. Other wheel materials or plate mounted castors are available on request.

Item Description:

CST 50

CST 75

CST 100

CST 125

CST 125 - Antistatic

Item Number:

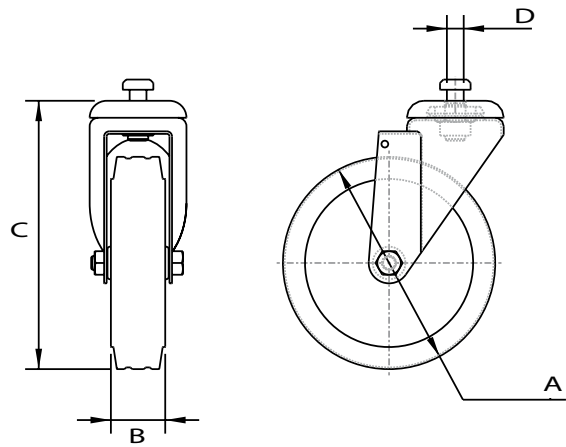
1.27.0500.0

1.27.0750.0

1.27.1000.0

1.27.1250.0

1.27.1258.0



Technical Information:

Item Description	Dim -A- (mm)	Dim -B- (mm)	Dim -C- (mm)	Dim -D- (mm)	Max. Load (N)	Material
CST 50	50.0	18.0	63.0	10.0	400.0	Solid rubber - PA
CST 75	75.0	20.0	97.0		550.0	
CST 100	100.0	32.0	133.0	12.0	800.0	
CST 125	125.0	32.0	160.0		1000.0	
CST 125 - Antist	125.0	32.0	160.0			



Castors with Brake (CST ... B):



General Information:

Function: Castors 'CST 100' & 'CST 125' can be screwed directly into tapped profile ends. Castor 'CST 75' can be fixed into the profile slot using slide nut 'SL M10 - 1'.

Features:

1. Material: Grey Rubber.
2. Operating temperature range: -40°C to 100°C.

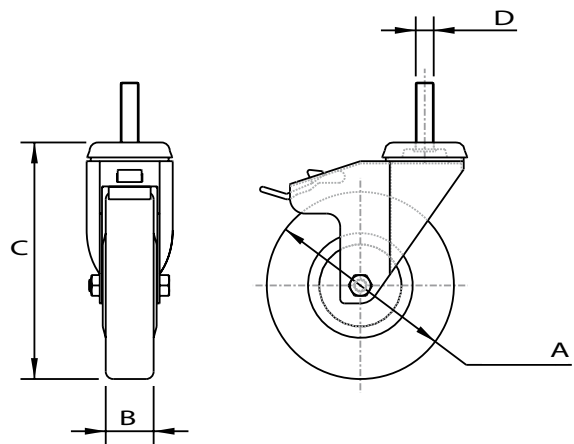
Note:

1. Other wheel materials or plate mounted castors are available on request.

Item Description:

Item Number:

CST 50 B	1.27.0500.0	M8 8 10
CST 75 B	1.27.0750.0	M8 8 10
CST 100 B	1.27.1000.0	M8 10
CST 125 B	1.27.1250.0	M8 10
CST 125 B - Antistatic	1.27.1258.0	M8 10



M6x16

S3.60

M6

S3.61

Technical Information:

Item Description	Dim -A- (mm)	Dim -B- (mm)	Dim -C- (mm)	Dim -D- (mm)	Max. Load (N)	Material
CST 50 B	50.0	18.0	63.0	10.0	400.0	Solid rubber - PA
CST 75 B	75.0	20.0	97.0		550.0	
CST 100 B	100.0	32.0	133.0	12.0	800.0	
CST 125 B	125.0	32.0	160.0		1000.0	
CST 125 B - Anti	125.0	32.0	160.0			

Transport Plates (TP):



General Information:

Function: To mount levelling feet, rollers, hooks or similar components.

Features:

1. Can connect to the profile sideways

Item Description:

TP 30 x 60

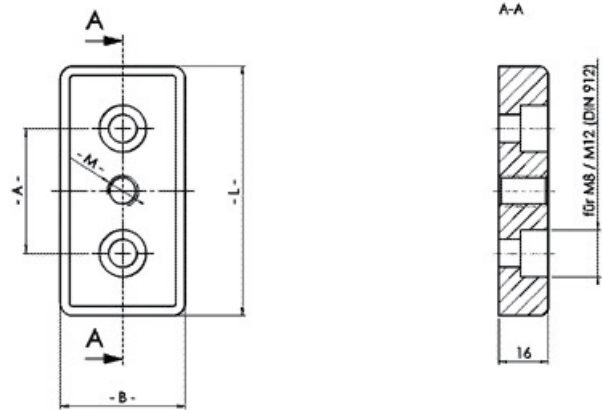
Item Number:

093T30601606S



TP 45 x 90

1.26.0002.0

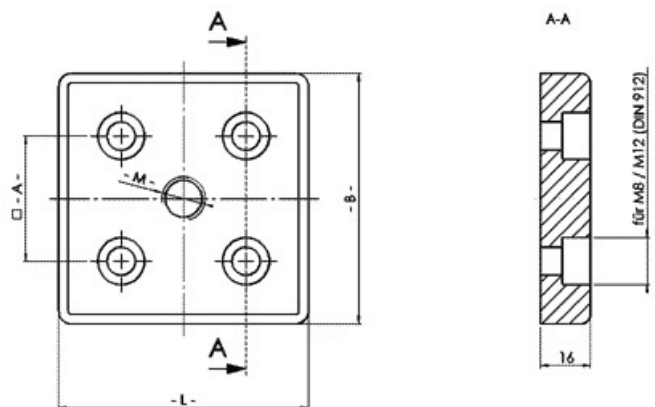


Item Description:

TP 90 x 90

Item Number:

1.26.0001.0



Technical Information:

Item Description	Dim -B- x -L- (mm)	Dim -A- (mm)	Dim -M-	Weight (g)	Colour	Finish	Material
TP 30 x 60	30.0 x 60.0	30.0	M16	93.0	Black	Powder coated	Die-cast zinc
TP 45 x 90	45.0 x 90.0	45.0		266.0			
TP 90 x 90	90.0 x 90.0			516.0			



Foundation Brackets (FBR):



General Information:

Function: To secure profile members to the floor.

Features:

1. Slot holes allow easy positioning and adjustment.

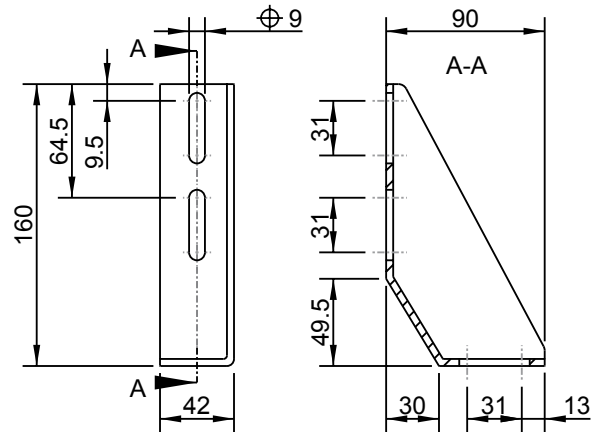
Item Description:

FBR - R

Item Number:

1.26.0011.0

10



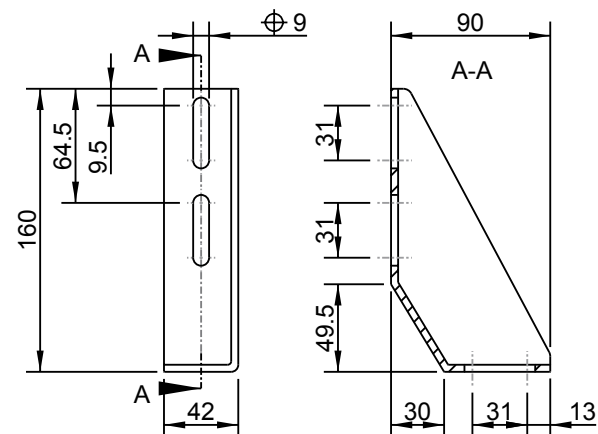
Item Description:

FBR - L

Item Number:

1.26.0010.0

10



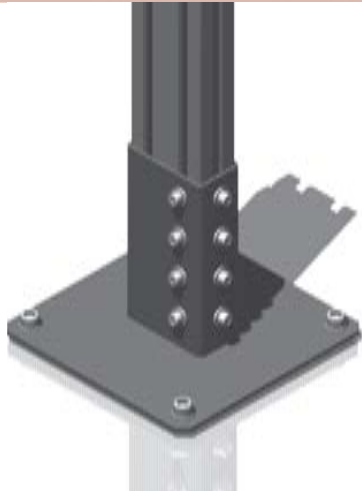
Technical Information:

Item Description	-A1- (mm)	Colour	Finish	Material
FBR - L	9.0	Black	E coated	3mm Steel
FBR - R				



Base Plates (BPT):

General Information:



Item Description:

Item Number:

BPT 45 x 45

1.26.0017.0



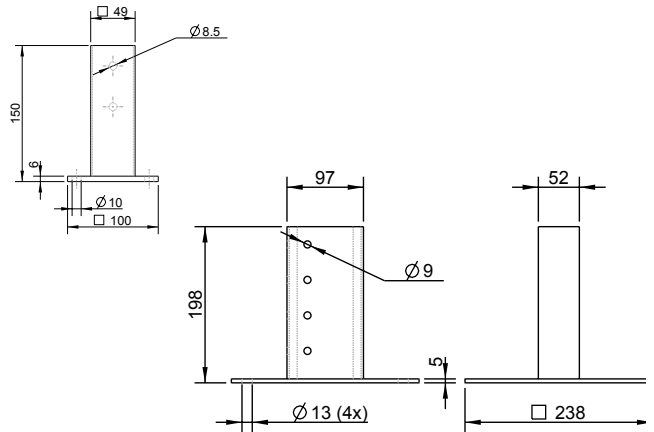
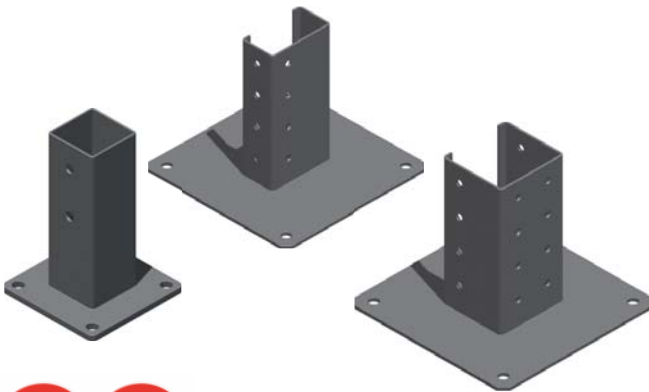
BPT 45 x 90

1.26.0018.0



BPT 90 x 90

1.26.0019.0



Technical Information:

Item Description	-A- x -B- (mm)	Colour	Finish	Material
BPT 45 x 45	45.0 x 45.0	Charcoal	Powder coated	Steel
BPT 45 x 90	45.0 x 90.0			
BPT 90 x 90	90.0 x 90.0			



Mounting Brackets (MBR):



General Information:

Item Description:

MBR 30 x 30

MBR 40 x 40

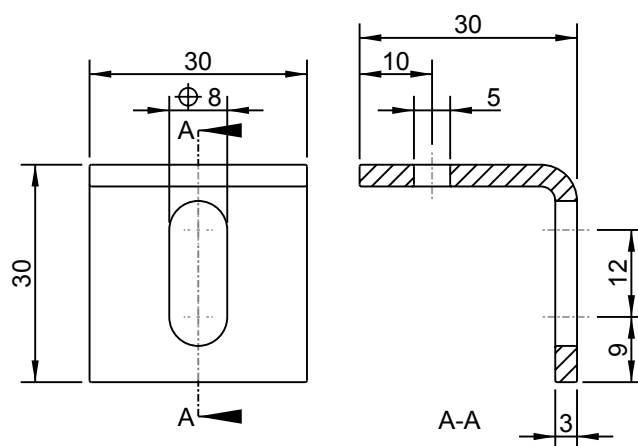
Item Number:

1.25.0040.0

8

1.25.0041.0

10



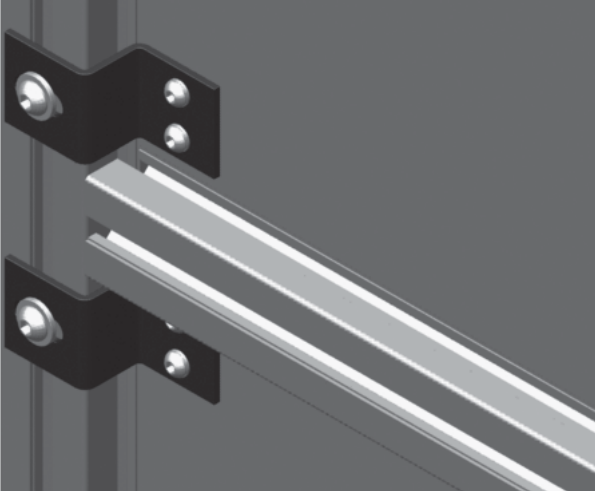
Technical Information:

Item Description	-A- (mm)	-B- (mm)	-C- (mm)	-D- (mm)	Colour	Finish	Material
MBR 30 x 30	30.0	20.0	8.0	15.0	Black	E coated	Steel
MBR 40 x 40	40.0	22.5	10.0	23.0			



Panel Mounting Bracket (PMB):

General Information:

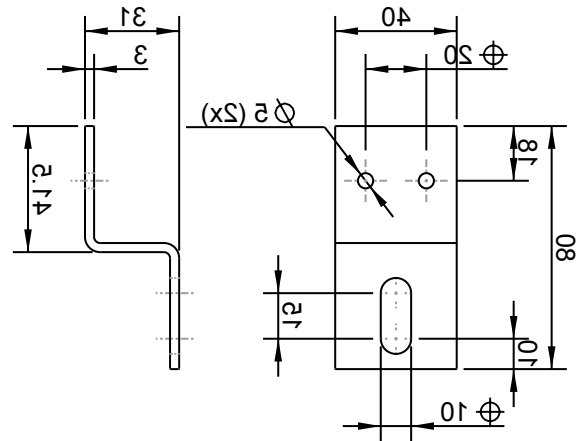


Item Description:

Item Number:

PMB

1.25.0042.0



Technical Information:

Item Description	Weight (g)	Colour	Finish	Material
PMB	-	Black	E coated	Steel